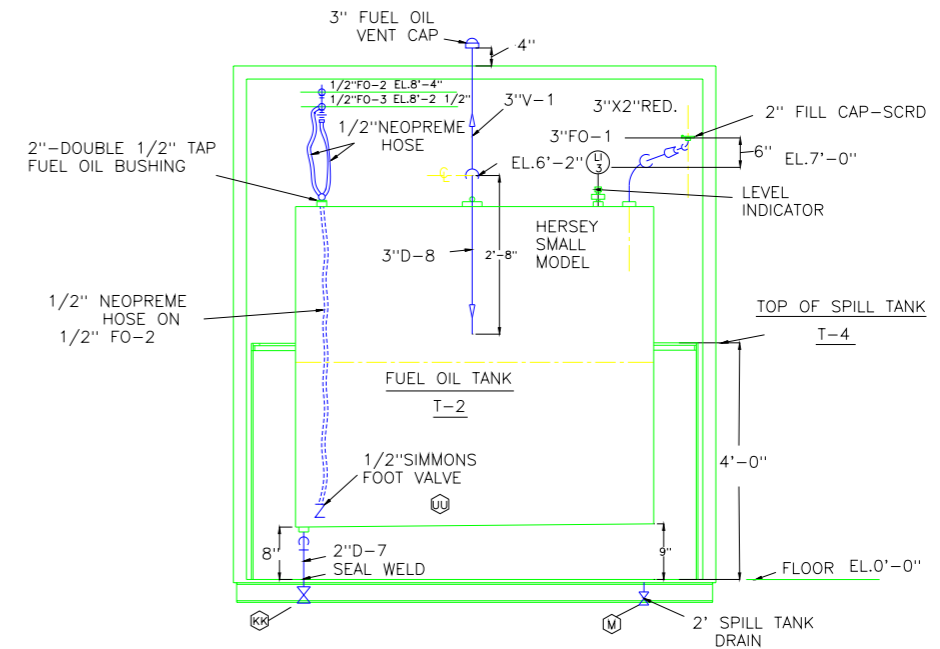
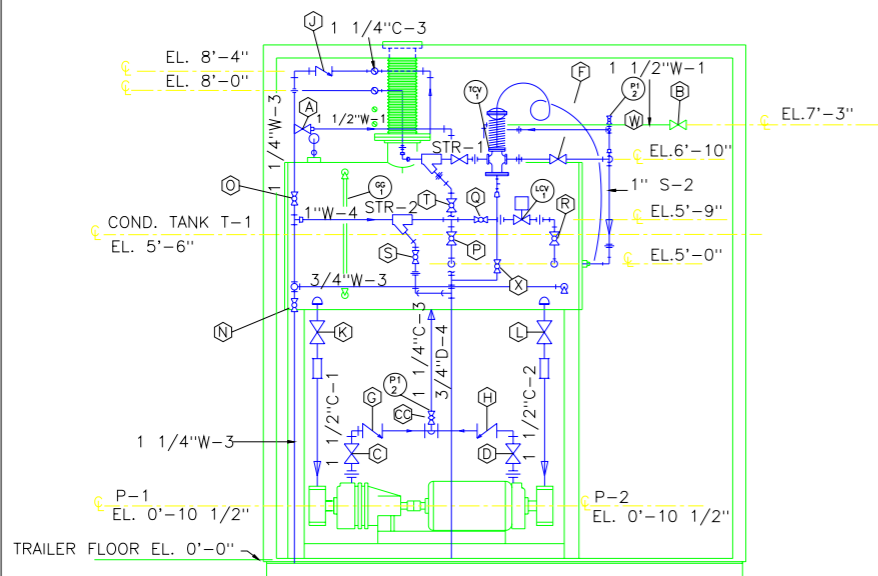


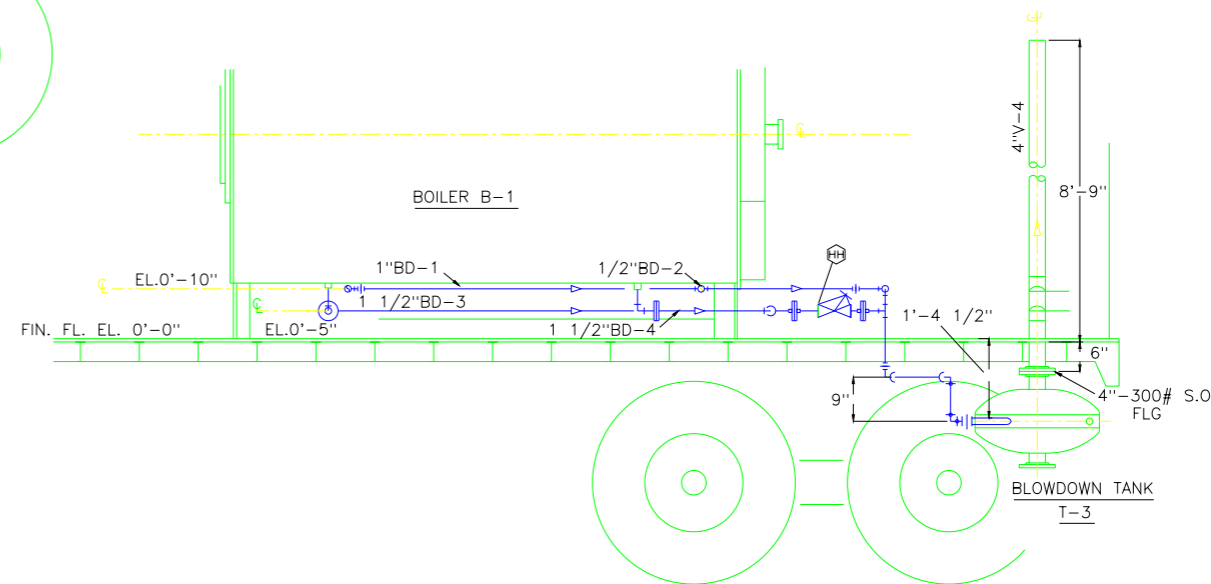
SECTION "1-1"



SECTION "2-2"



SECTION "3-3"



SECTION "4-4"

NOTE:
*INDICATES FURNISHED WITH BOILER

Designed by	Checked by	Approved by - date	filename	Date	Scale
			00000000	05/2002	N/A
			100 H.P. BOILER SYSTEM PIPING SECTION & DETAILS		
1003-P3			Edition	Sheet	